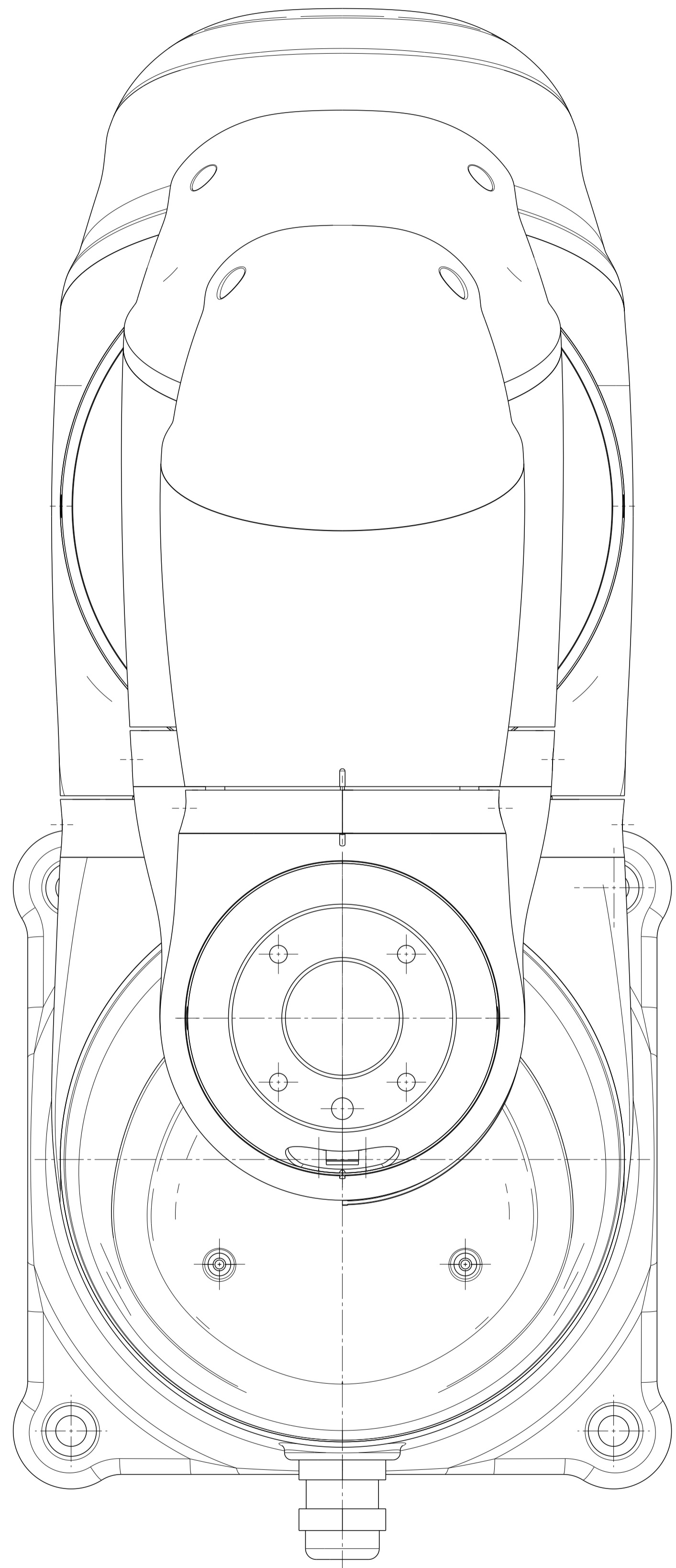
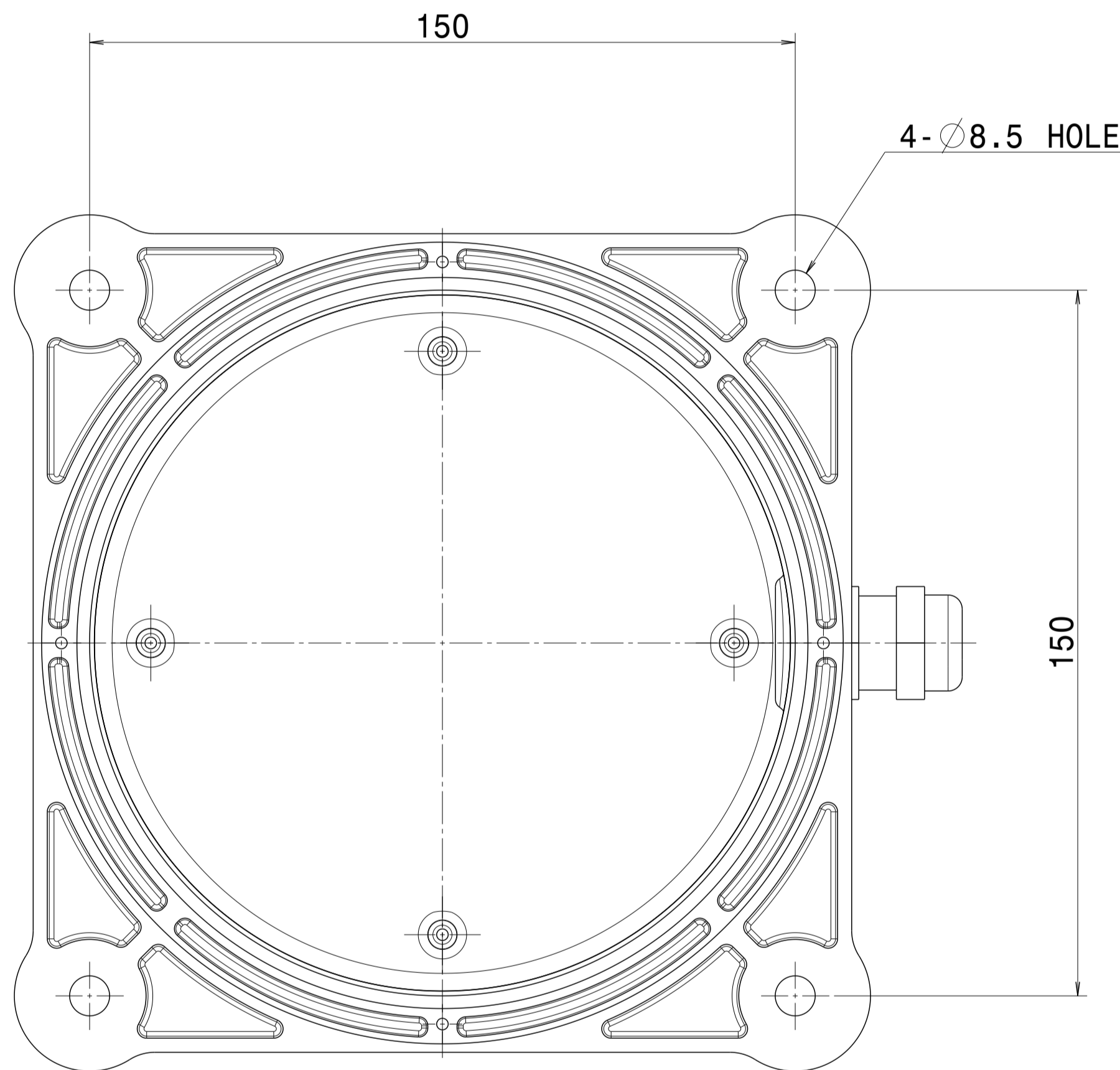


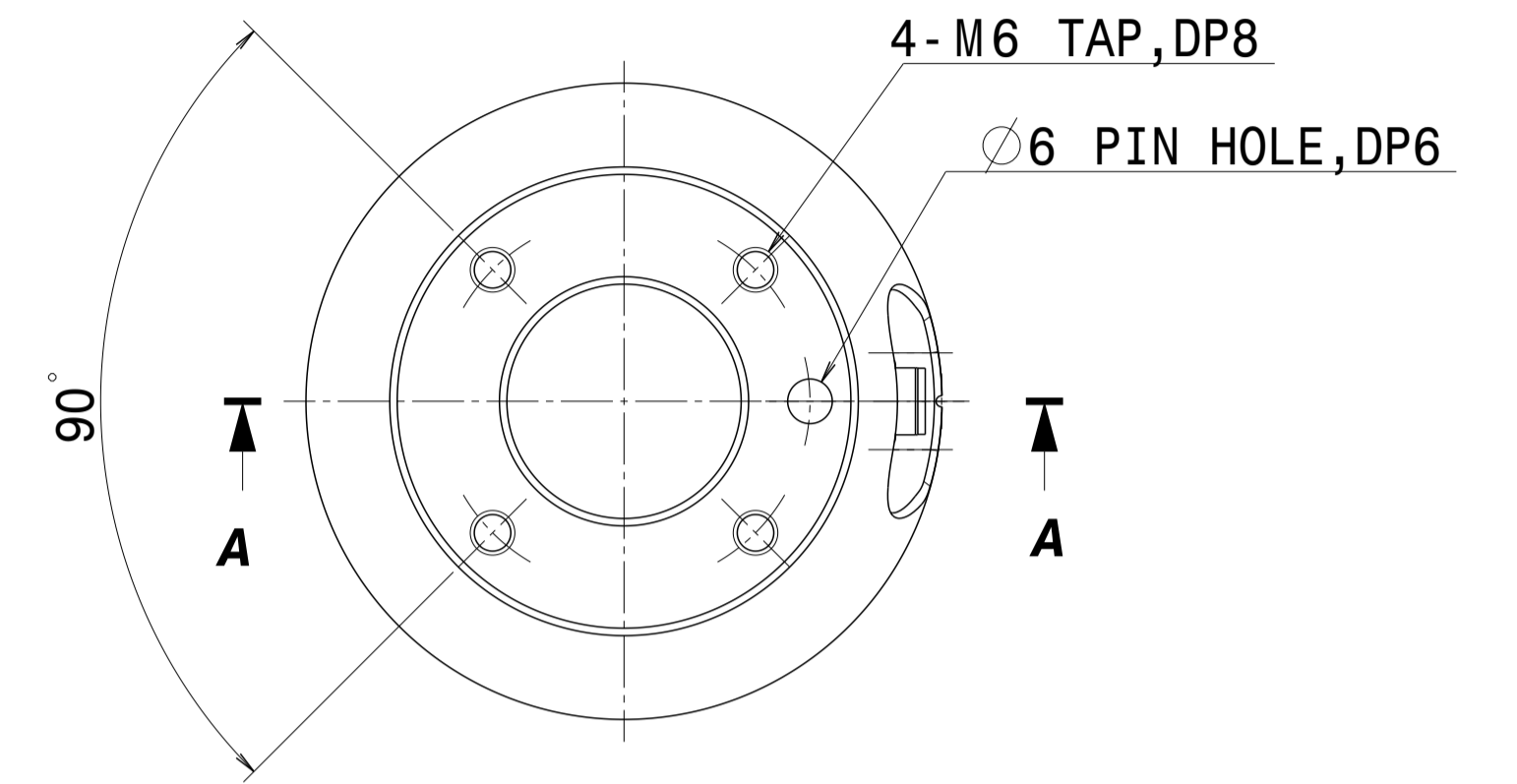
[BASE & FLANGE]



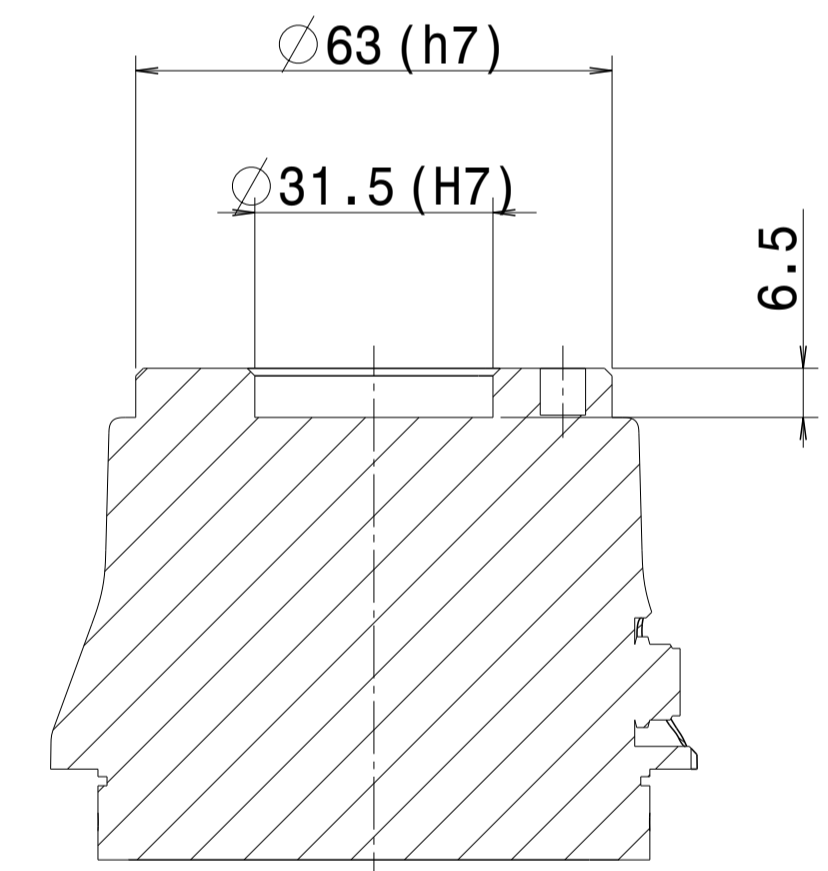
TOP VIEW (1:1)



**BASE (BOTTOM VIEW)
(1:1)**



**END FLANGE
(1:1)**



SECTION VIEW A-A (1:1)

SUFFIX	MARK	SUBJECT	ECN. NO.	DATE	NAME	CHECKED
	\triangle X					
	\triangle X					
	\triangle X					

SURFACE FINISH		GENERAL TOLERANCE (MACHINING)		GENERAL CHAMFERS		APPROVED	TITLE	Q'TY
OVER	TO	- 6	+0.1	HEAT TREATMENT		CHECKED	A0912 LAYOUT	1
6	30	+0.2		HARDNESS		CHECKED	ASS'Y	W.T (kg)
30	120	+0.3				DESIGNED	MODEL	SCALE
120	315	+0.5					MAT.	
315	1000	+0.8					DRG. NO.	1/1
1000	2000	+1.2					REF. DRG. NO.	
2000	4000	\pm 2.0						
						DRAWN	20.06.10	

DOOSAN