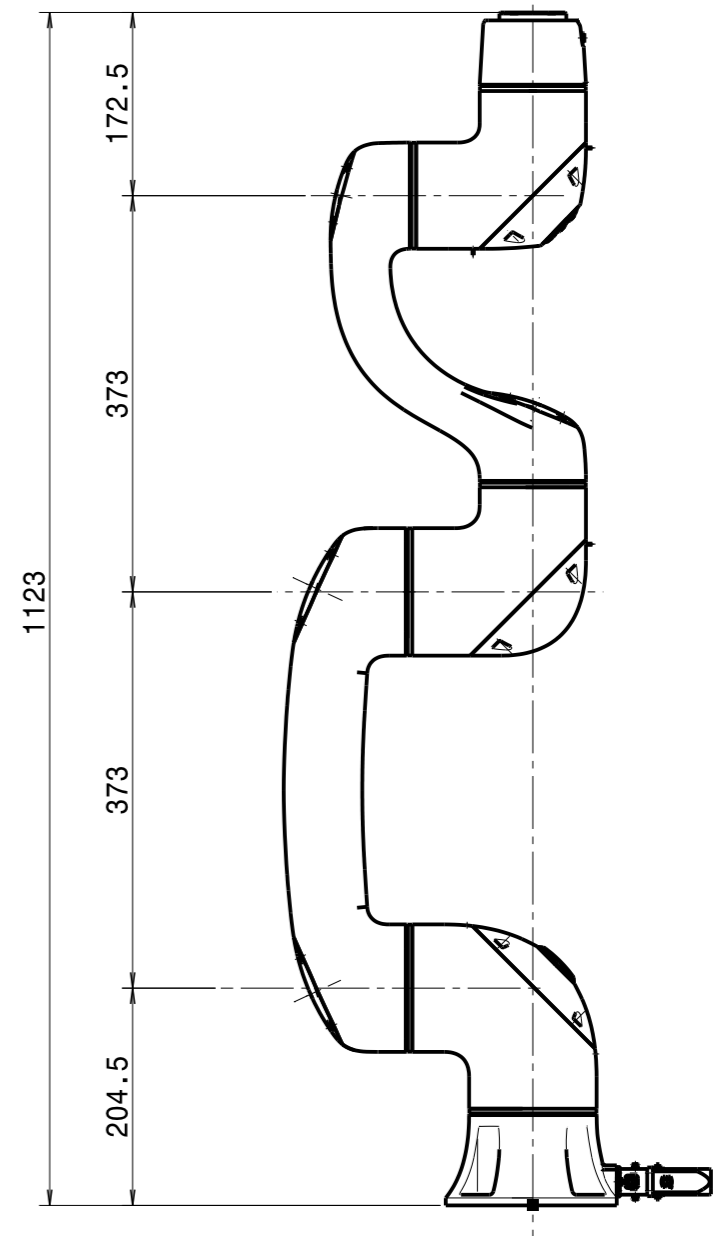
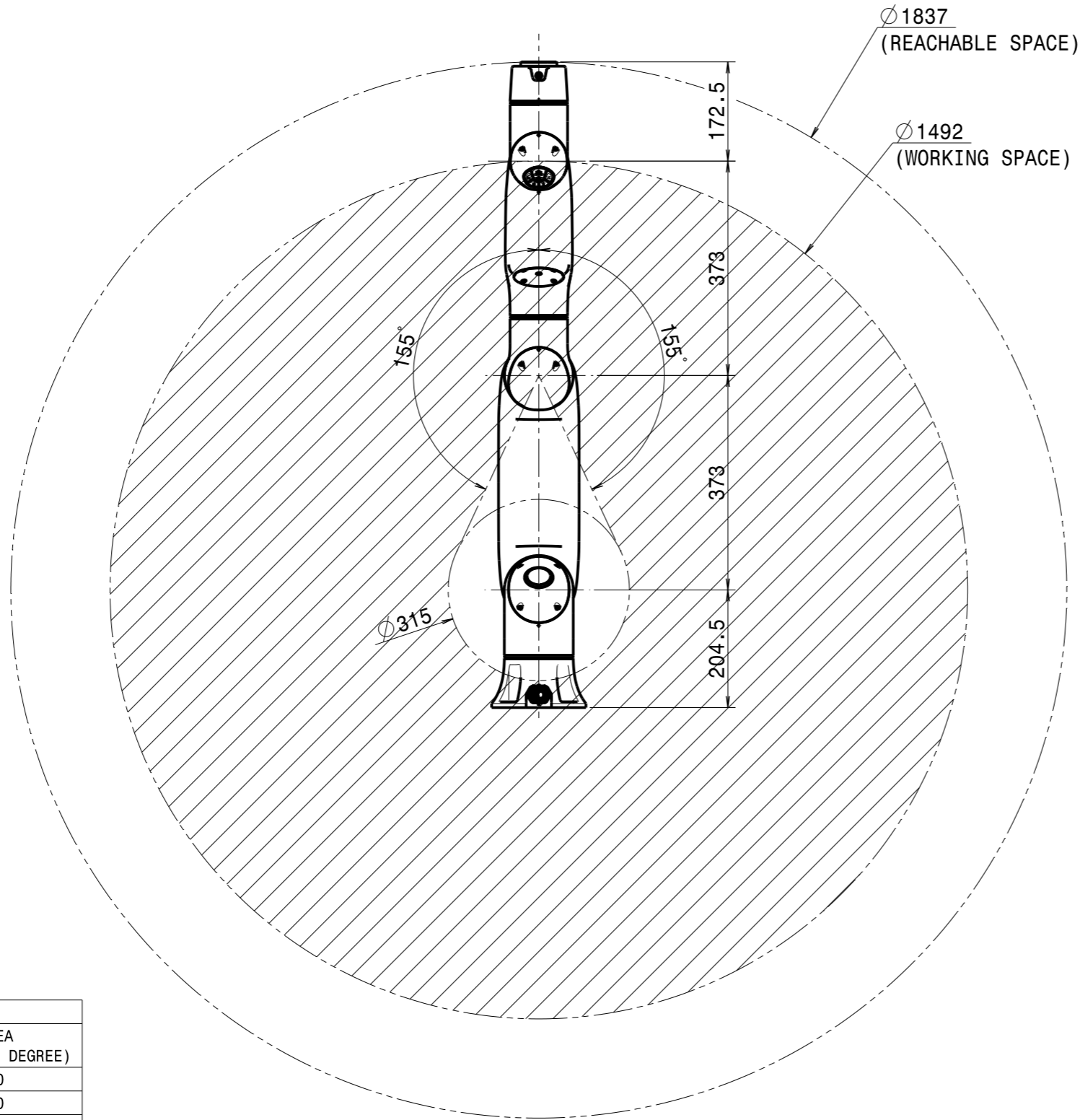


[WORKING RANGE]



JOINT RANGE	
AXIS	WORKING AREA (SOFTWARE LIMIT / DEGREE)
1	-360 ~ 360
2	-360 ~ 360
3	-155 ~ 155
4	-360 ~ 360
5	-360 ~ 360
6	-360 ~ 360
PAYLOAD	5kg
REACH	918.5

TITLE	LAYOUT		Q'TY	1
ASS'Y	E0509		W.T (kg)	22
MODEL	MAT.		SCALE	
E-SERIES	DRG. NO.	A2		
DATE	23.05.04			
DOOSAN			CHANGWON KOREA	