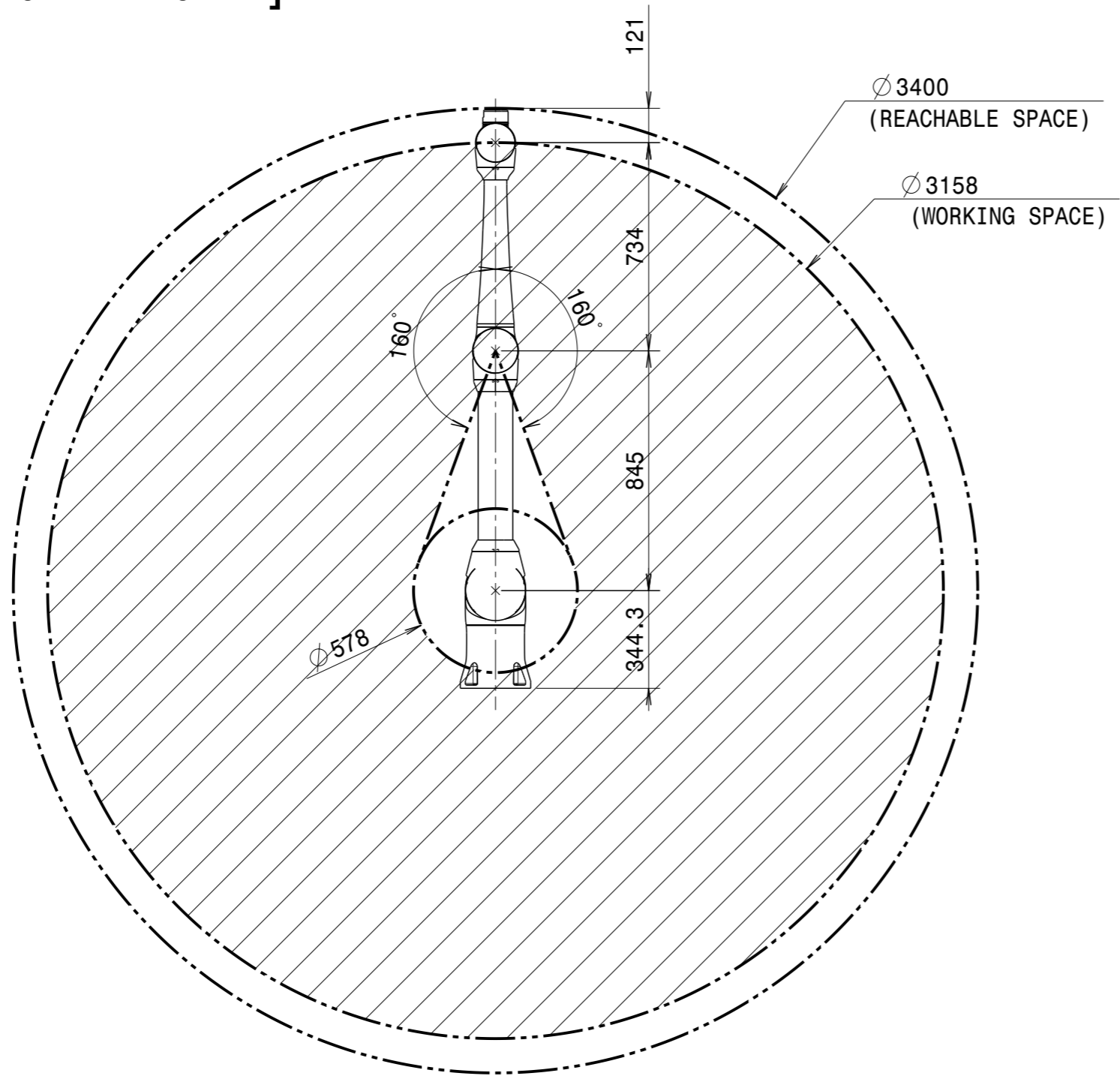
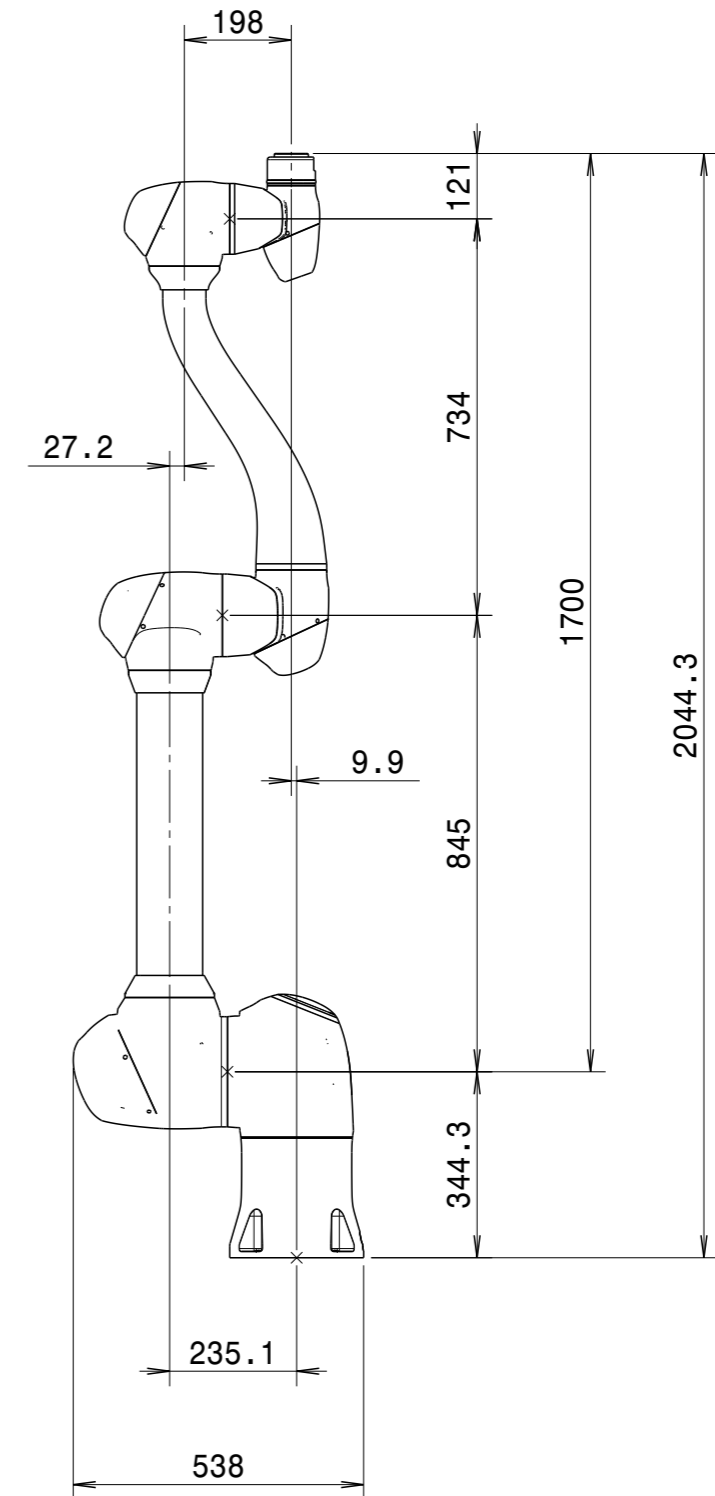


# [ WORKING RANGE ]



Front view (1:20)



Side view (1:14)

| JOINT RANGE |  |
|-------------|--|
| AXIS        | WORKING AREA (SOFTWARE LIMIT) / DEGREE |
| 1           | -360 ~ 360                             |
| 2           | -125 ~ 125                             |
| 3           | -160 ~ 160                             |
| 4           | -360 ~ 360                             |
| 5           | -360 ~ 360                             |
| 6           | -360 ~ 360                             |
| PAYLOAD     | 20kg                                   |
| REACH       | 1700mm                                 |

|          |          |    |               |    |
|----------|----------|----|---------------|----|
| TITLE    | LAYOUT   |    | Q'TY          | 1  |
| MODEL    | H2017    |    | W.T (kg)      | 75 |
| SERIES   | MAT.     |    | SCALE         |    |
| H-SERIES | DRG. NO. | A3 |               |    |
| DATE     | 21.03.24 |    |               |    |
|          |          |    | <b>DOOSAN</b> |    |